



# Stainless steel cabinet

IP44-IK10

Patented

Reinforced cabinet, 100% 316L stainless steel, 1.5mm thick, made up of 3 separate elements.

Trapezoidal stainless steel pedestal for improved stability and tearing strength.

The stainless steel frame is separate from the casing, to facilitate wiring with access on all sides.

Reinforced stainless steel casing, with rigidity enhanced by vertical grooves. Frame-mounted, inward-swinging crowbar-resistant door.

Micro beaded stainless steel finish for improved paint adhesion.



## ADVANTAGES

High-quality and modular stainless steel cabinet.

Anti-poster grooves on all 4 sides of the cabinet, wave-shaped relief (registered design).

Frame separate from the cabinet to facilitate wiring and maintenance.

## TECHNICAL CHARACTERISTICS

### Stainless steel pedestal

- Semi-embedded earth installation.
- Concrete filling.
- Trapezoidal shape.

### Frame

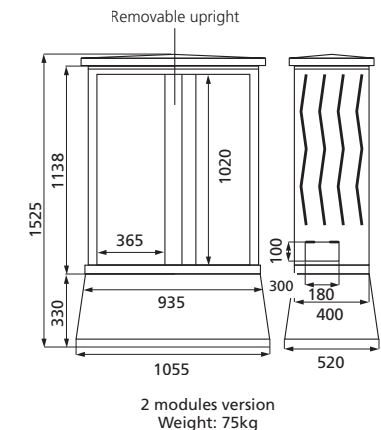
- Frame designed to accommodate standard wooden panels (250x800mm).
- Frames separate from the cabinet, fitted into a housing welded onto the bottom of the pedestal and secured by stainless steel screws (registered design).

### Casing

- Fabricated casing mounted onto a rigid reinforcement frame.
- Removable centre upright (for 2 and 3 modules).
- Anti-poster grooves on all 4 sides.
- Fastened onto the pedestal by welded pins.
- Protection IP44 - IK10.
- 4-slope roof.
- Ventilation by natural convection at top and bottom.

### Finishing options

- Micro beaded stainless steel for efficient application of all polyester paints (choice of RAL colours).
- Frame/door earth connecting cords.
- Stainless steel hinges.



DESIGN



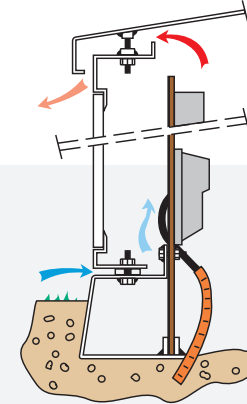
Pedestal



Frame



Casing



IP44-IK10  
Natural ventilation  
principle of the cabinet

OPTIONS

Finishing options

- Specific key number.
- Closure with reinforced stainless steel handle, and keys with customised numbers.
- Standard butterfly rotating handles: for other supports or closures (DENY, triangular keys, etc.), please contact us.
- RAL colours.

Insulation options

- Class 2 cabinet: Interior box Class 2, IP44 IK10, S17T2 type.
- Class 2 ventilated box: please contact us.

Interior equipment

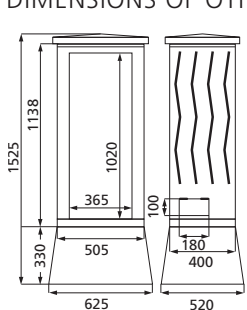
- Frame with adjustable uprights on rail, as per customer drawing.
- Cabinet control access or with 1 socket doors, 180x100mm police door.
- Standard 250x800mm wooden panels supplied.



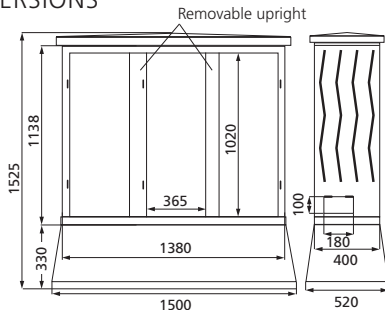
Option  
Access door



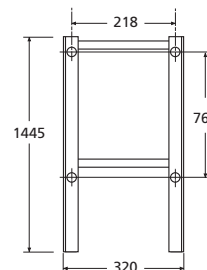
DIMENSIONS OF OTHER VERSIONS



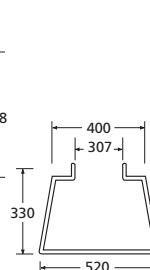
1 module version - Weight: 50kg



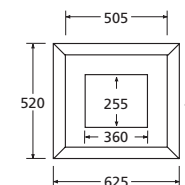
3 modules version - Weight: 108kg



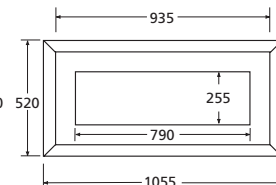
Standard frame



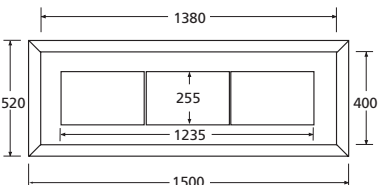
Pedestal



Pedestal, 1 module version



Pedestal, 2 modules version



Pedestal, 3 modules version